

JXM-IO-EW30

Expansion module



- Technical twin of JXM-IO-E30
- Connects via 5 x WAGO™ MCS mini HD
- Measuring range of the analog inputs is partly switchable
- Comes as PCB or pre-assembled in standard housing (120 x 220 x 91 mm)
- I/O signal grouping on the connectors with ground and/or sensor supplies.

Description

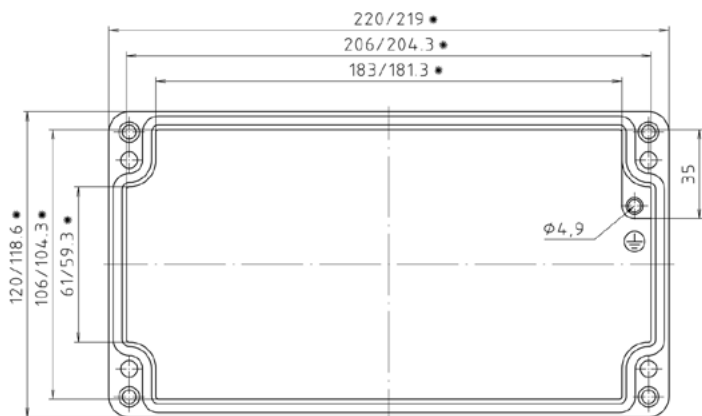
The JXM-IO-EW30 expansion module includes the full functional scope of its JXM-IO-E30 brother, but comes as PCB solution to be installed in a regular plastic or diecast aluminum housing.

WAGO™ connectors and heavy-duty cable glands offer maximum wiring versatility while ensuring excellent reliability in the most demanding operating conditions.

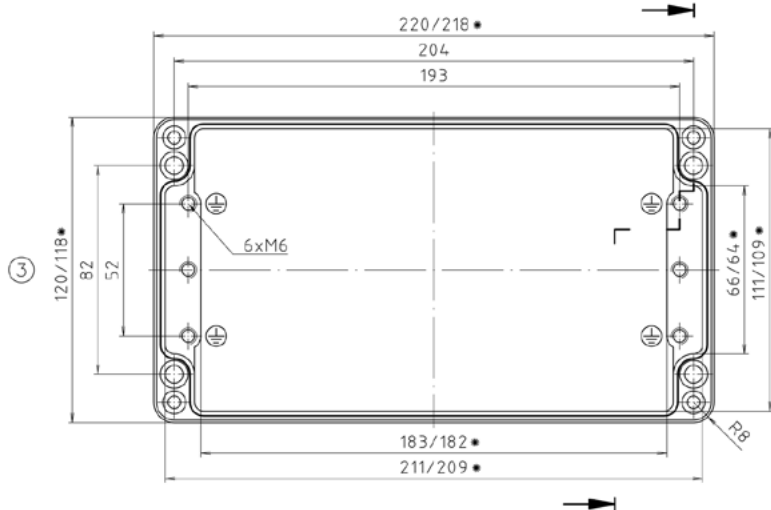
Technical specifications

Operating voltage range	DC 8 V ... 32 V, with separate ECU power supply
Operating/storage temperature	-40 ... +85 °C
CAN ports	1 CANopen
Max. amount of inputs/outputs	26
Inputs	
Analog	2; supports switching between measuring ranges 5 V/10 V
Digital/frequency	4; active-high; input impedance 5.6 kΩ, 0.1 Hz ... 10 kHz
Digital / CAN coding	2; Coding of the CAN ID, tri-state
Outputs with diagnostic capabilities (short-circuit, cable break)	4; 3 A, 1.5 kHz max., dithering, current-controlled, diagnostic capabilities, short-circuit-proof; alternative usage: - Digital input, active-low, input impedance 10 kΩ - Digital output 3 A - PNP input
PWM, precision current measuring	6; 7 A, 1.5 kHz max., dithering, diagnostic capabilities, short-circuit-proof; alternative usage: - Digital input, active-low, input impedance 10 kΩ - Digital output 7 A - PNP input
PWM	4; 3 A high-side, diagnostic capabilities, short-circuit-proof (with 50 % ON period); alternative usage: - Digital input, active-low, input impedance 10 kΩ - PNP input
Digital (50 % ON period)	
Sensor power supply	3 x independent VBAT supply for sensors
Max. permitted total current	25 A
Degree of protection	Depends on the type of installation
Vibration	ISO 16750-3
Shock	ISO 16750-3
Protection against polarity reversal	Yes
Output diagnostics	Short circuit, no-load

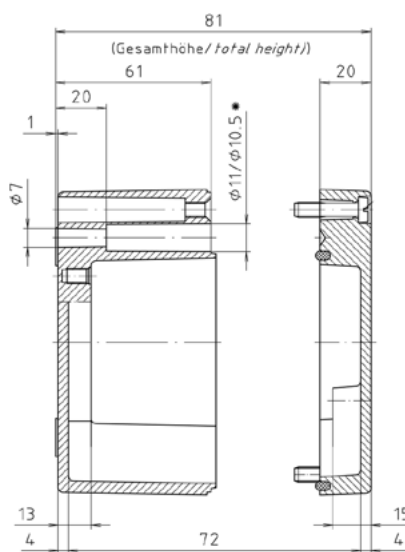
Dimensional drawing



Deckel / lid



Unterteil / base



Bucher Automation AG
Graeterstrasse 2
71642 Ludwigsburg, Germany
T +49 7141 2550 0
info@bucherautomation.com

Further details and order information are available on request. Specifications are subject to change without notice. Errors and omissions excepted.